



mounting  
systems



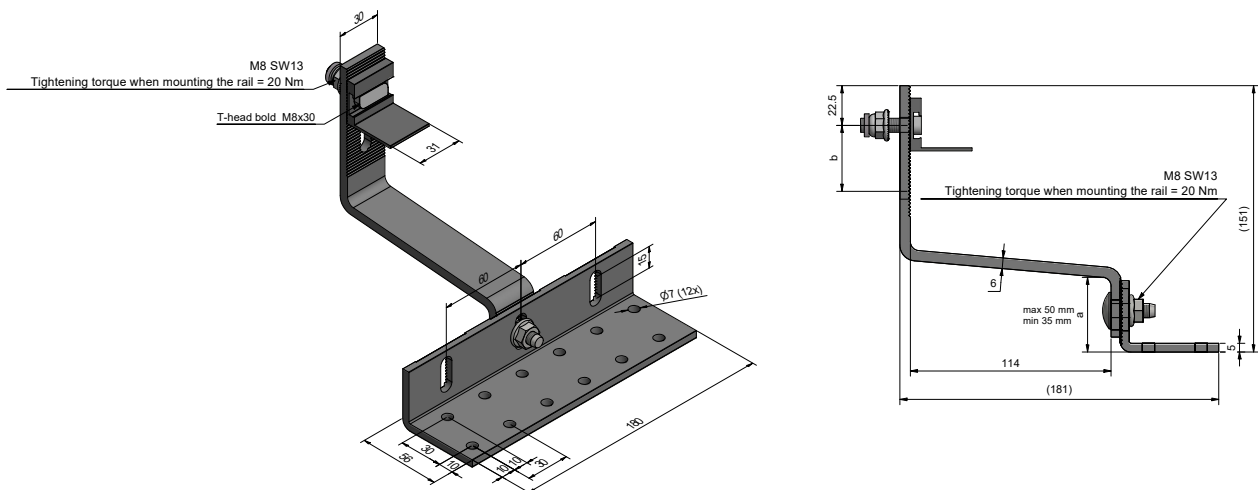
Set No.  
720-1732

Ref-No.  
707-0201

## Roof Hook Stainless Steel 180-7-35 2times adjustable - Comfort

Roof cladding	Pitched - with roof tiles
Material	Stainless steel A2 / Aluminium EN AW-6063 T66
Total height	170 mm
Height in roof batten area (a)	35 – 50 mm
Horizontal leg length	120 mm
Max. height adjustance (b)	38 mm to rail area
Total adjustability	57 mm
Drilling base plate	12 x $\varnothing$ 7 mm
Weight	1.0 kg
Article addition	In the comfort version are support bracket for the base rails and small parts for the rail connection to the roof hooks pre-assembled

### Dimensions



Technical amendments reserved.  
2024 © Mounting Systems GmbH