

PV-ezRack SolarRoof Pro

The New Universal Roof Mounting System



Cleenergy's PV-ezRack SolarRoof Pro is a roof-mounting solution suitable for most types of pitched and flat roofs. Using our innovative PV-ezRack Rail, Z-modules and roof hooks, PV-ezRack SolarRoof Pro is one of the most versatile rooftop solutions in the world, delivering a safe and cost-effective solution to installers.



Specifications

Installation Site:	Pitched or flat roof
Applicable Roof Cladding:	Most claddings
Roof Slope:	Up to 60°
Max. Building Height:	Up to 20m
Applicable Module:	Framed or frameless
Module Orientation:	Landscape or portrait
Standards:	TUV, RAL GZ966
Material:	Anodised aluminium
Warranty:	10 years*

Key Benefits

Easy Installation

Our versatile rail, Z-module and splice kit eliminates the need for onsite cutting, making SolarRoof a safe and cost effective PV mounting system.

Versatile Application

With a full range of roof hooks, PV-ezRack SolarRoof Pro is suitable for most roofing types, including pitched tile roofs, metal roofs, concrete roofs and even slate roofs.

Great Compatibility

Designed as a universal PV mounting system, SolarRoof Pro is compatible with most of the major framed and frameless PV modules on the market.

High Quality

Strict quality control over materials and finished products ensures optimum strength and long life for your installation.

10 Year Warranty

Cleenergy provides a 10 year product warranty for your peace of mind.

Key Components



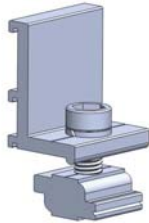
Roof Hooks

PV-ezRack SolarRoof Pro offers a variety of new hooks for different roof claddings. And the special Clip top kit makes the installation easier and quicker.



PV-ezRack SolarRoof Pro Rail

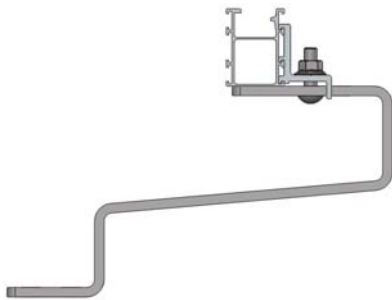
The PV-ezRack SolarRoof Pro Rail is specially designed, which has less weight but provide bigger span.



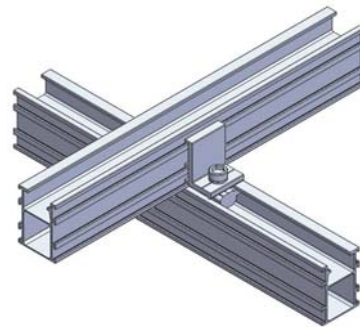
Cross Connection Clamp

Cross Connection Clamp makes required cross rail connection possible.

Assembly Illustration



The special designed roof hooks makes the installation on site easier and quicker.



Cross Connection Clamp makes required cross rail connection possible.

Distributor Contact: